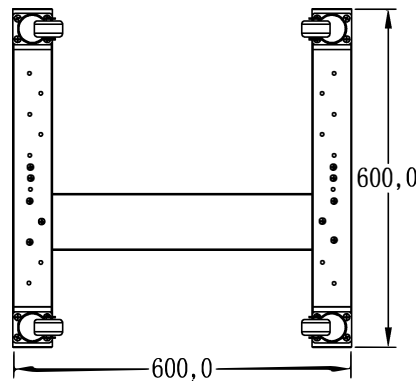
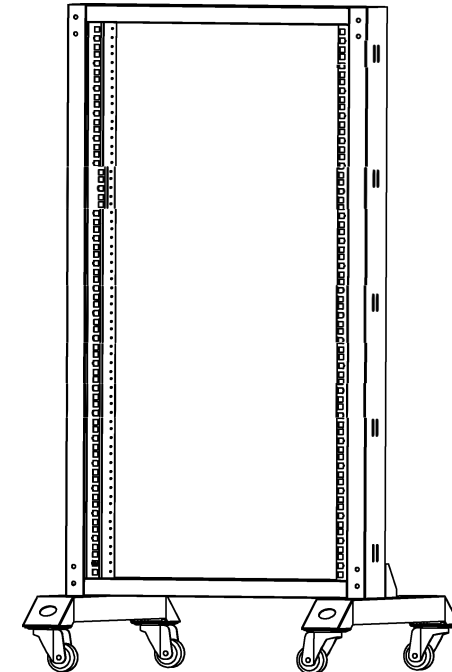
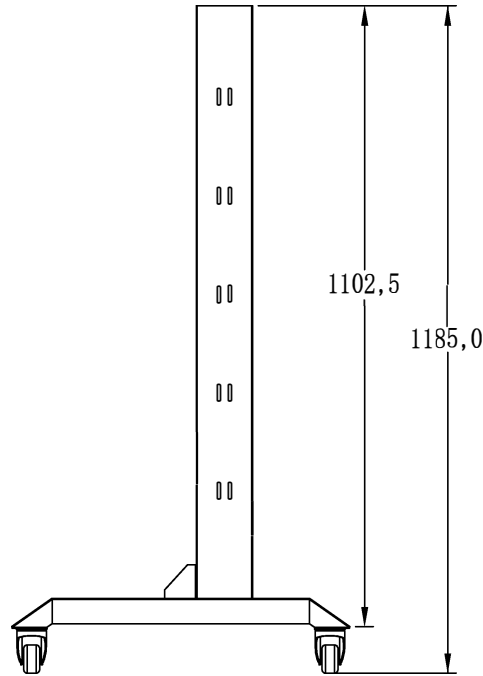
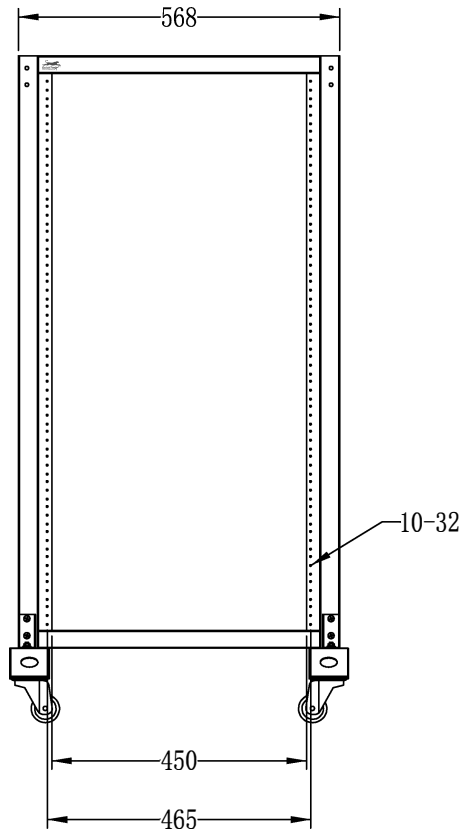




QuickTrex Free Standing 22U 2 Post Network Rack with Caster Wheels and Standard Legs - 19 Inch Wide - 10-32 Tapped Rails and Cage Nut

Part # QT-2P-FDR-WC-22U



*Measurements are displayed in mm

Material: SPCC quality 1.5mm cold rolled steel
Loading Capacity: Static loading 120kg
Rail Mounting: 10-32 Screws or Cage Nuts
Surface Finish: Gloss Black & Powder Coated
(Includes Degreasing, Pickling, & Phosphating)
ISO9001 Certified Manufacturing